

■ Features

- BLE 4.0 (Mesh function ongoing)
- Cellphone App Ubleset™ Control
- Remote Control Upowertek LED Drivers
- Remote Program Upowertek LED drivers
- IP66 Waterproof
- Easy Connection (Both Connector Version and Wire Version Available)



■ Application

- Only Work with Upowertek Cable Programmable Drivers
(Please contact with info@universal-science.eu for more details about this type)

■ Model List

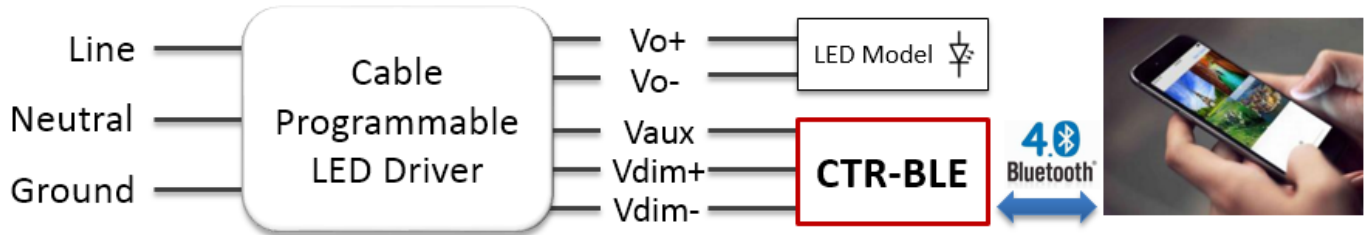
Model Number	Input Voltage	Dimming Output	Programming Function	Cable/Connector Output
CTR-BLE-DTB	10-14Vdc	UART	Yes	UL Cable
CTR-BLE-DTC	10-14Vdc	UART	Yes	UL Cable with Connector
CTR-BLE-DNB	10-14Vdc	0-10V	-	UL Cable
CTR-BLE-DNC	10-14Vdc	0-10V	-	UL Cable with Connector

■ Technical Data

Input Voltage	10-14Vdc, 15Vmax, 0.2A max
Operating Temperature	-30°C~+70°C ; 10%RH~100%RH
Storage Temperature	-30°C~+85°C; 5%RH~100%RH
Dimensions	1.69 x 1.18 x 0.91 by inch 43 x 30 x 23 by mm
Net Weight	-
Packing	-

Notes: Unless specified, all the test results are measured in 25°C room temperature.

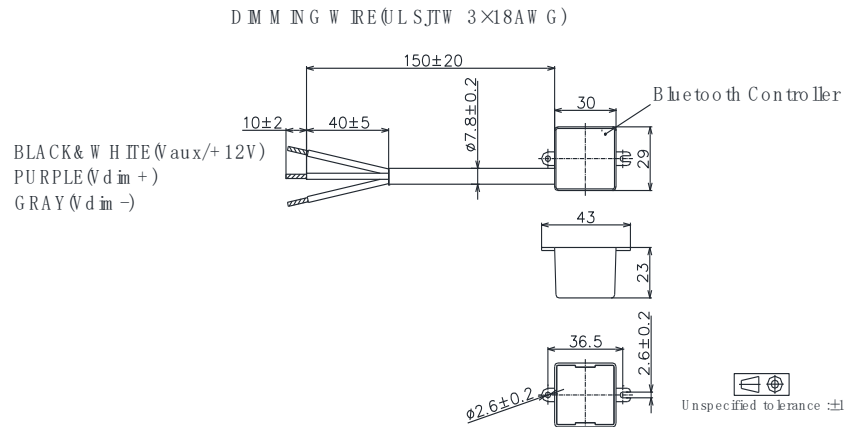
Wiring Block Diagram



Android App Download Link:

Mechanical Design

- CTR-BLE-DTB



- CTR-BLE-DTC

