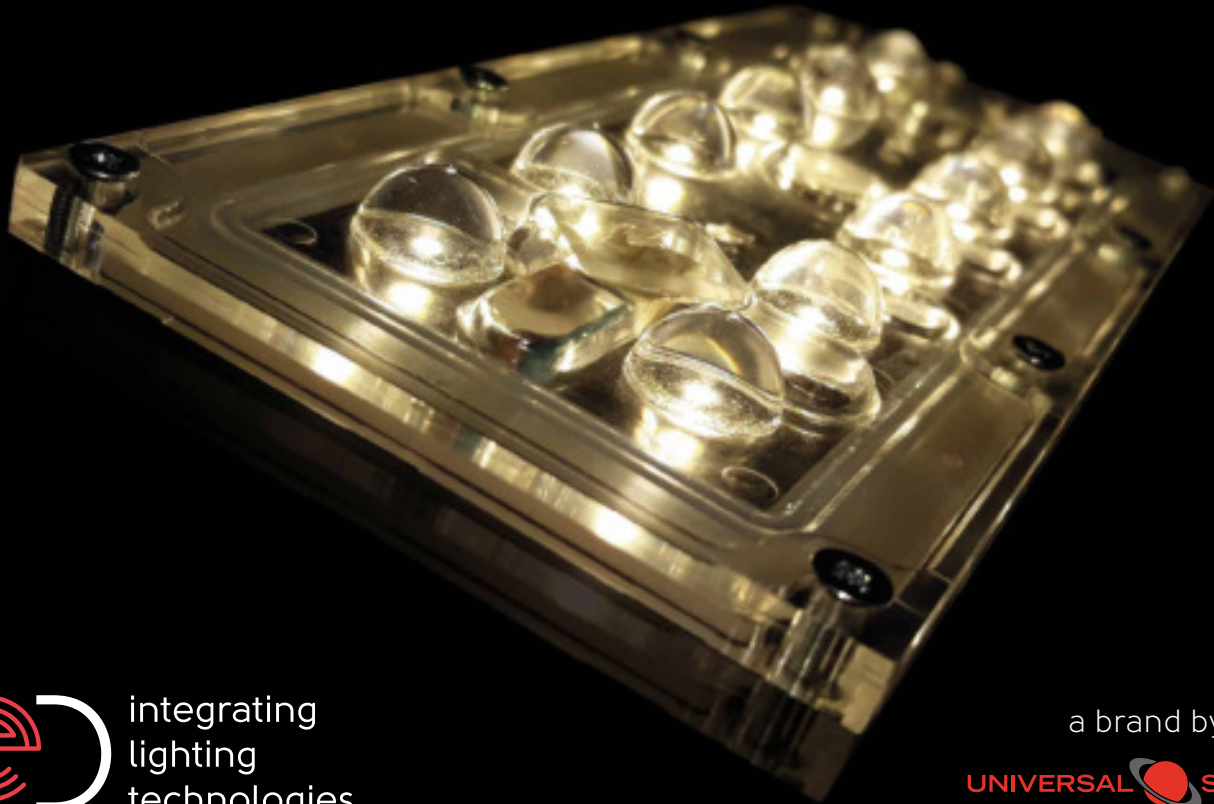


# Relamping Kit

LightMAX | High power lighting solutions



integrating  
lighting  
technologies

a brand by

UNIVERSAL  SCIENCE

Relamping Kit  
Via Il Giugno  
Certaldo (FI)



## Relamping Kit

## Main Features

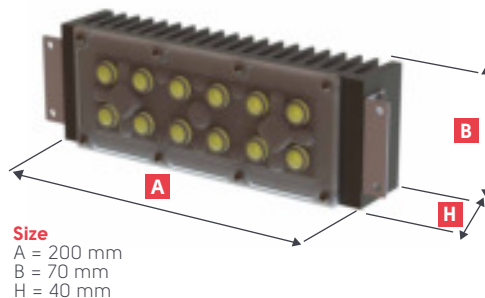
### Relamping Kit by RED - Integrating Lighting Technologies

is the LED lighting solution designed to optimally replace inefficient old sources in existing luminaires.

Suitable for any type of structure, retrofitting allows traditional light fixture to be preserved by adapting them to modern LED technologies.

The heart of the system is made up of the **2x6 RED module** of the **LightMAX** series, the product family that identifies the high-power solutions of **Universal Science**.

- Flexibility and adaptability to existing structures.
- Designed for maximum reliability.
- Reduction of intervention and maintenance costs.
- Anodized aluminum structure.
- Made in Italy design and LED modules.
- Easy installation with no structural changes.



### Il Relamping Kit di RED – Integrating Lighting Technologies

è la soluzione d'illuminazione LED studiata per sostituire in maniera ottimale vecchie sorgenti inefficienti in apparecchi già installati. In grado di adattarsi a ogni tipo di struttura, il retrofitting permette di conservare i corpi illuminanti tradizionali adattandoli alla moderne tecnologie a LED.

Il cuore del sistema è costituito dal **modulo RED 2x6** della serie **LightMAX**, la famiglia di prodotti che identifica le soluzioni ad alta potenza di **Universal Science**.

- Flessibilità ed adattabilità alle strutture esistenti.
- Progettati per la massima affidabilità.
- Riduzione dei costi d'intervento e di manutenzione.
- Struttura in alluminio anodizzato.
- Design e moduli LED made in Italy.
- Facilità d'installazione senza modifiche strutturali.

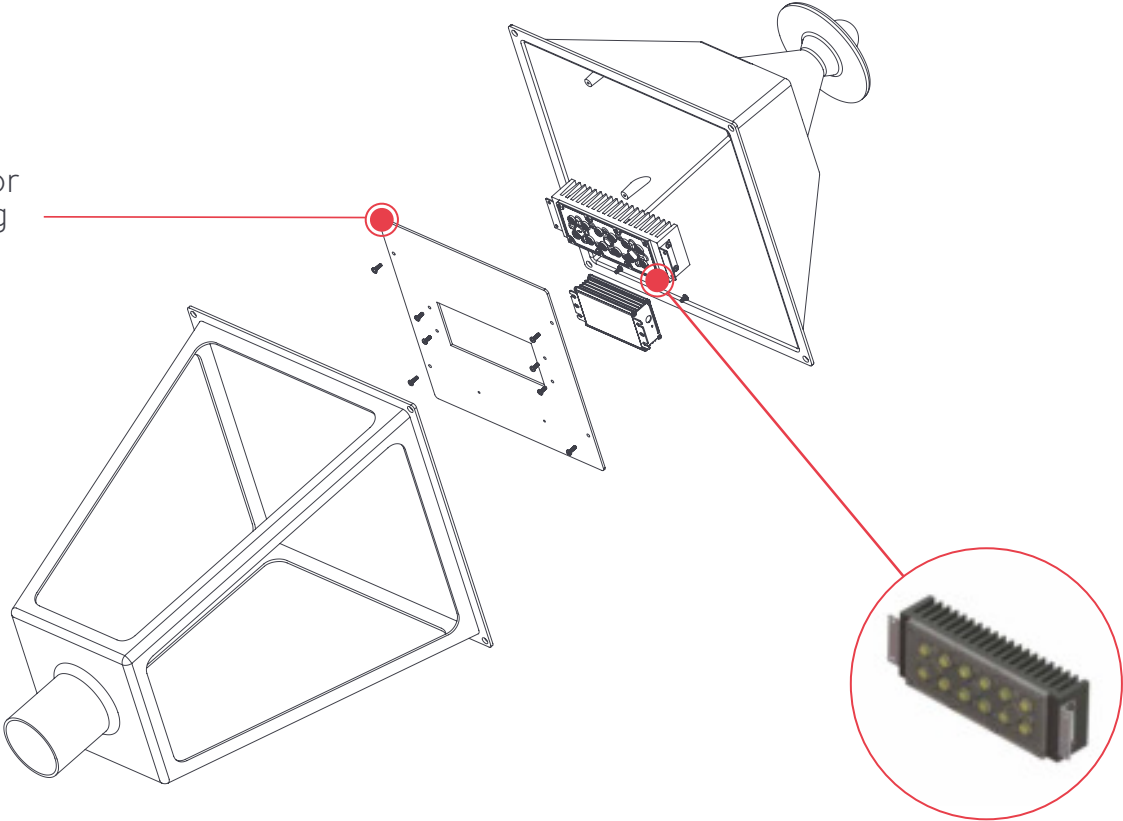
Relamping Kit  
Via Il Giugno  
Certaldo (FI)



**Relamping  
Kit**

**Application examples:  
street lighting luminaires**

Adapter plate for  
specific lighting  
fixture



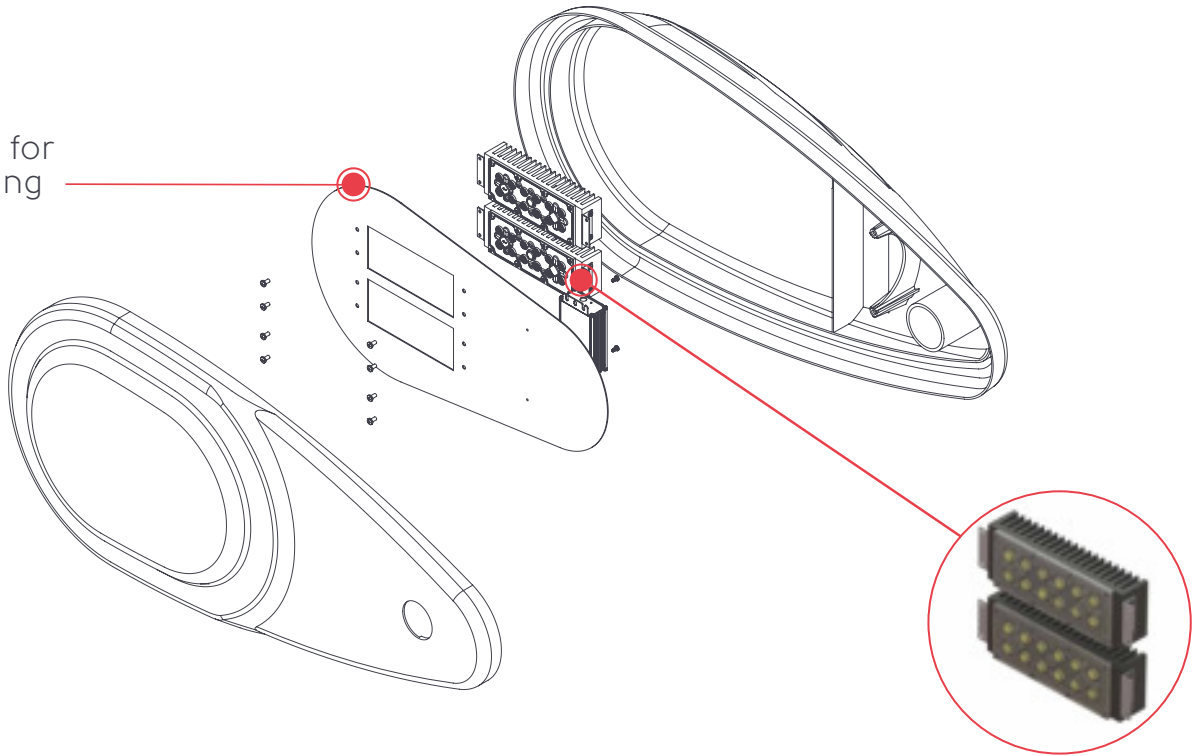


Relamping Kit  
Via F.lli Cervi  
Certaldo (FI)

**Relamping  
Kit**

**Application examples:  
street lighting luminaires**

Adapter plate for  
specific lighting  
fixture



## Relamping Kit

## Technical features

<b>Power</b>	from 12W to 50W
<b>LED Efficiency</b>	up to 200 l/W
<b>Nominal luminous flux</b>	up to 8800 lm
<b>Operating Temperature</b>	-25°C +55°C
<b>CCT (K)</b>	2200K, 2700K, 3000K, 4000K, 5700K (others on request)
<b>CRI</b>	70 (80, 90 available on request)
<b>Binning</b>	5 Step MacAdam (3 Step available on request)
<b>Modularity</b>	Up to 6 led modules in series
<b>Life time</b>	up to 100.000 hrs (L90B10, Ta=25°C @700mA)





## Relamping Kit

## Power supply type

### LED Driver

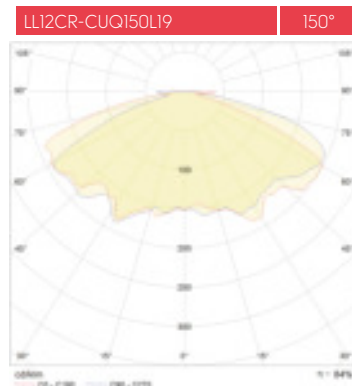
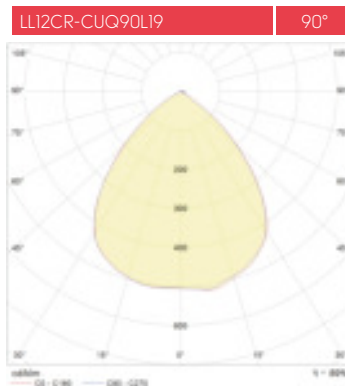
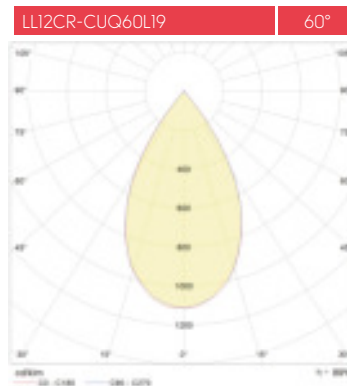
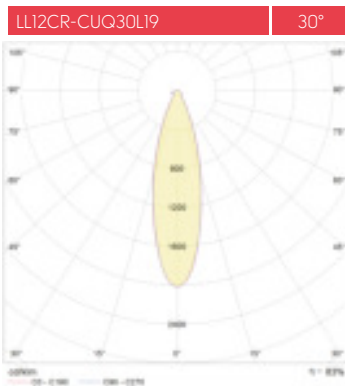
50W, 100-277Vac Input  
NFC Programmable  
Surge Immunity 10kV  
7 Year Warranty @  $T_c \leq 75^\circ\text{C}$   
>100,000Hour Life @  $T_c = 75^\circ\text{C}$   
UL, ENEC



Codice	CCT [K] 70CRI	Drive current [mA]	Flux @ $T_j = 75^\circ\text{C}$ [lm] (Source)	Lm/W @ $T_j = 75^\circ\text{C}$ (Source)	Lm/W System	Potenza [W]
F0004034404010	4000K	500	3418	206	>175	16,60
F0004034404010	4000K	700	4700	200	>170	23,50
F0004034404010	4000K	1050	6875	185	>158	37,00
F0004034404010	4000K	1400	8800	160	>136	50,00

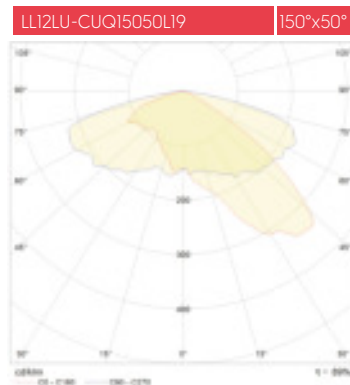
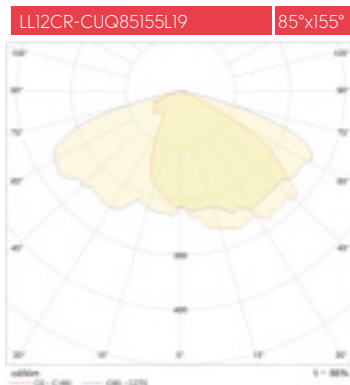
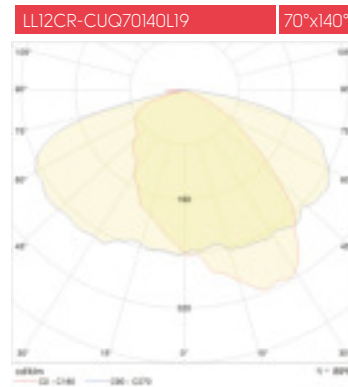
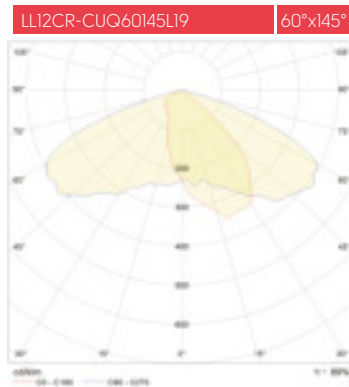
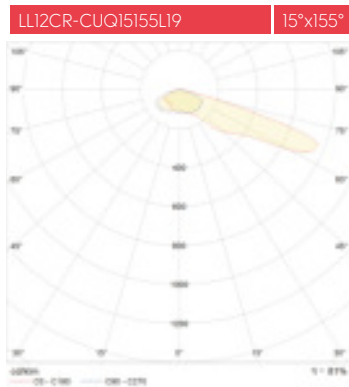
L/W system = including driver and optics

## Photometric features: symmetrical version



# Relamping Kit

## Photometric features: asymmetrical version



---

**RED Relamping Kit** guarantees an excellent luminous flux and the maximum system reliability: from 12W to 50W **LED module**, LedLink's CUQ series **optics** with IP66 waterproof gasket, anodized aluminum and high efficiency **heat sink** and Upowertek's ENEC certified **LED driver**.

Il **Relamping Kit di RED** garantisce un ottimo flusso luminoso e la massima affidabilità del sistema: **modulo LED** da 12W a 50W, **ottiche** LedLink della serie CUQ con guarnizione waterproof IP66, **dissipatore** ad alta efficienza in alluminio anodizzato e **alimentatore** Upowertek certificato ENEC.

---

**UNIVERSAL SCIENCE SRL - Società con unico socio**  
**VIA ADIGE, 30 - 20006 PREGNANA MILANESE (MI) - ITALY**



+39.02.94324511



[www.universal-science.it](http://www.universal-science.it)



Universal Science



[red\\_lighting\\_technologies](https://www.instagram.com/red_lighting_technologies)



[sales@universal-science.eu](mailto:sales@universal-science.eu)