

## PRODUCT DATA SHEET

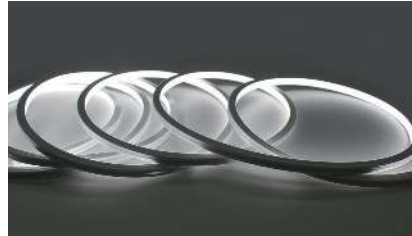
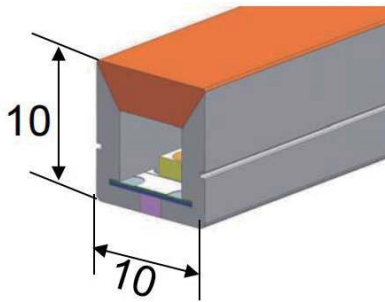
Neon Series  
1010 160D 10W/m  
Top View



RS-1010-24V08-2835T-160D



## Product Features



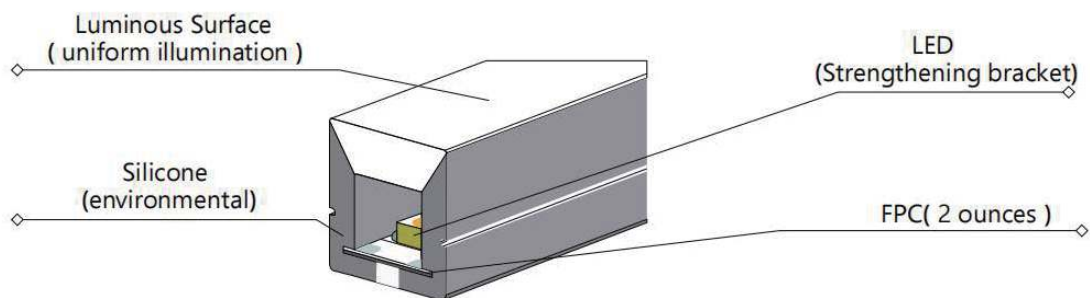
Lighting Effect



Application

1. 10mm width flat luminous surface.
2. High quality silicone, corrosion & acid & alkali resistance, anti-yellowing.
3. Good flexibility, good bending, easy modeling and anti-pulling force.
4. Silicone extrusion process, IP67 protection level.
5. Applied for indoor&outdoor decorative lighting and architectural outline lighting etc.
6. Warranty: 3 years.

## Structure Introduction





## Dimension mm/inch

Length/Reel	Width	Height	Min. Cutting
5000mm/0196.85in	10mm/0.3937in	10mm/0.3937in	Every50mm/1.9685in (8LEDs)



## Data

Part Number	Working Voltage	Power	Current	LED Qty	CRI
RS-1010-24V08-2835T-160D	24V	10W/m	0.147A/m	160LEDs/M	90+
		3.05W/ft	0.127 A/ft	≈49leds/ft	

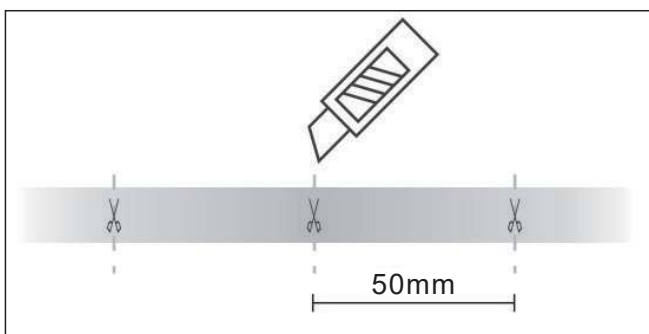
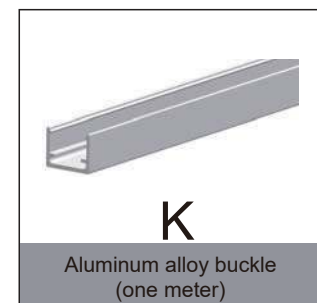
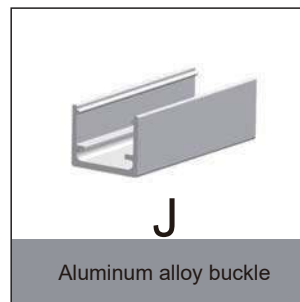
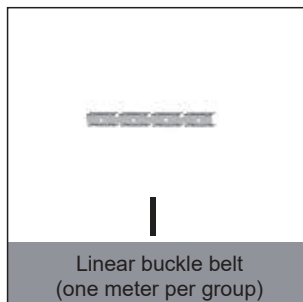
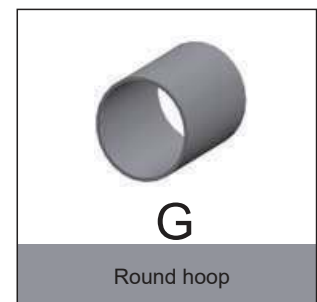
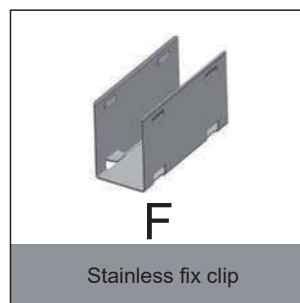
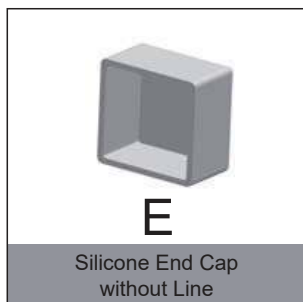
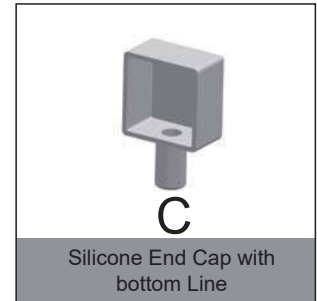
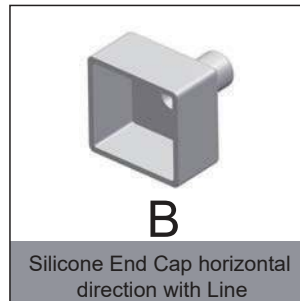
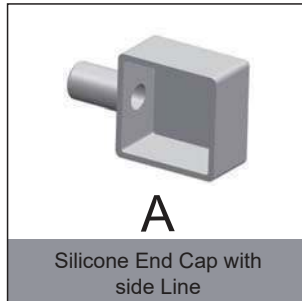
CCT (°K)	Luminous Efficiency	Lumen	
CRI>90 2700K	75 lm/W	750 lm/m	228 lm/ft
CRI>90 3000K	75 lm/W	750 lm/m	228 lm/ft
CRI>90 4000K	80 lm/W	800 lm/m	244 lm/ft
CRI>90 6000K	80 lm/W	800 lm/m	244 lm/ft

## Note:

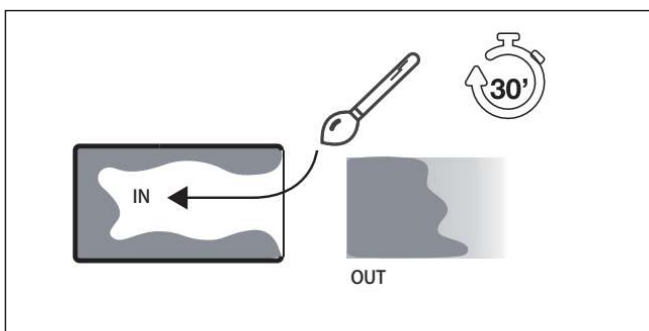
The Lumen output value tolerance + -5%  
due to testing way.

The CCT will be + -200k tolerance.

## Installation accessories

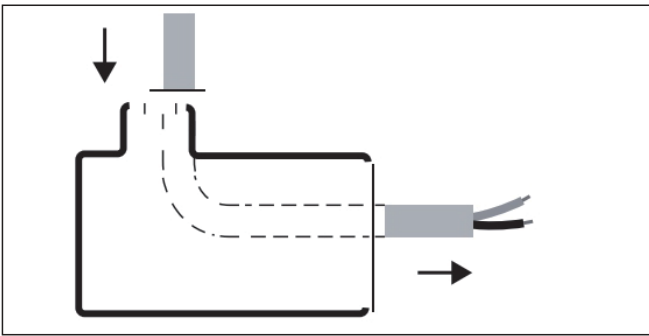


1. Cut according to the required length. The strip has a mark every 50mm. Cut at the mark position

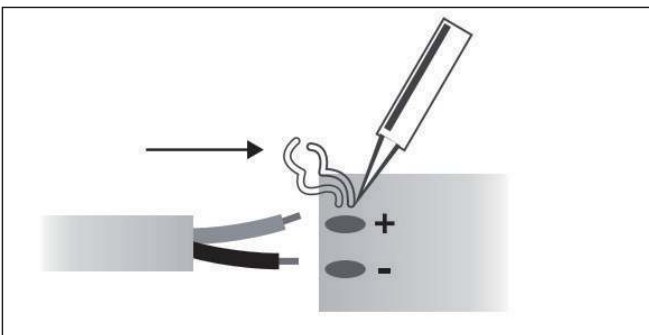


2. At the end of the outlet line, the inside of the plug and the outside of the strip are coated with special silica gel adhesive, and then put into the lamp band and use after 30 minutes.

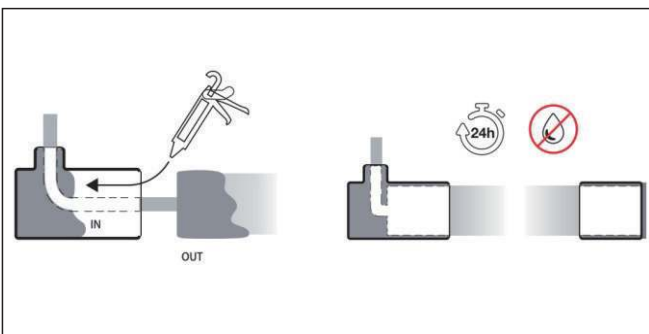
## Installation accessories



Need outlet: penetrate wire into the plug hole to the other end of the plug.



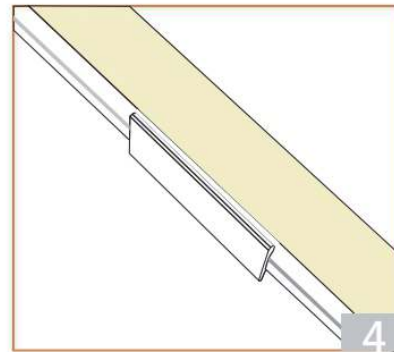
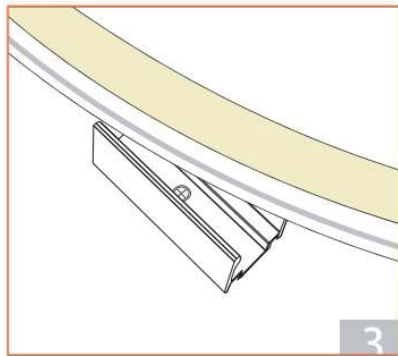
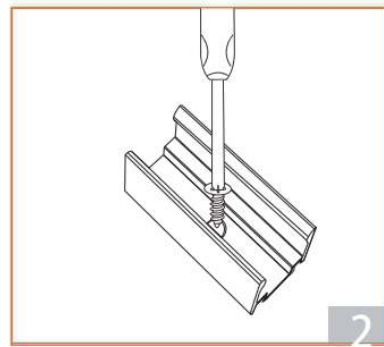
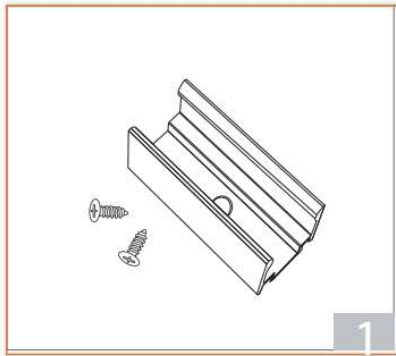
Weld wire through the plug on FPC, positive welding on(+),negative welding on(-)



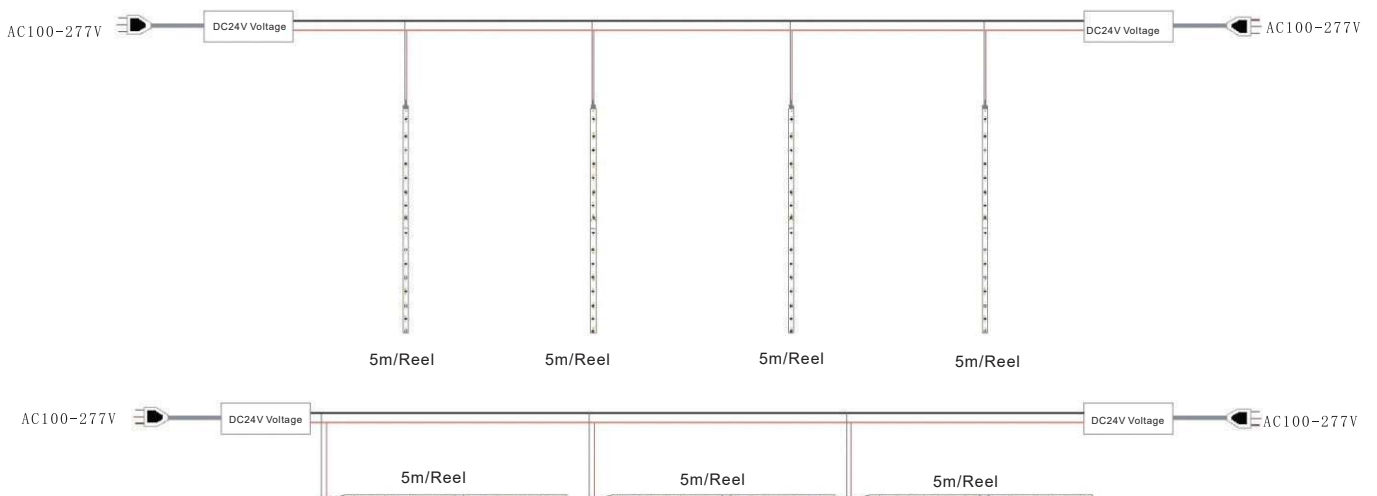
At the end of the outlet line, the inside of the plug and the outside of the strip are coated with special silica gel adhesive, and then put into the lamp band and use after 30 minutes.

## Installation of fix clip

Find the right screw to ensure that the head of the screw is not too high. Fix the fastener in the desired position. Finally, clip the strip in the slot.



## Wiring Diagram Application



## Packaging

20m reel



Carton packaging

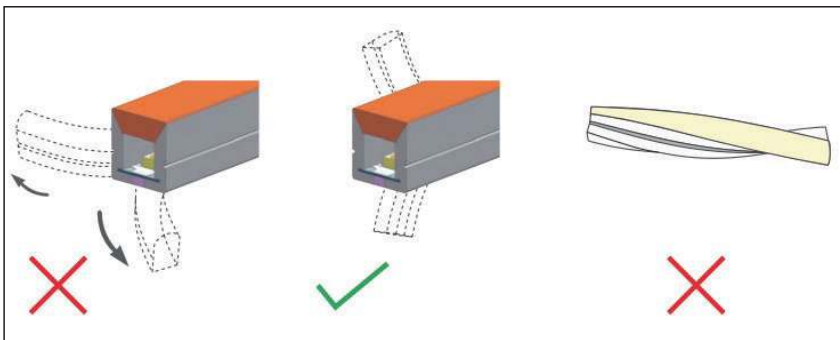


5m reel+Anti-electrostatic bag+Carton packaging

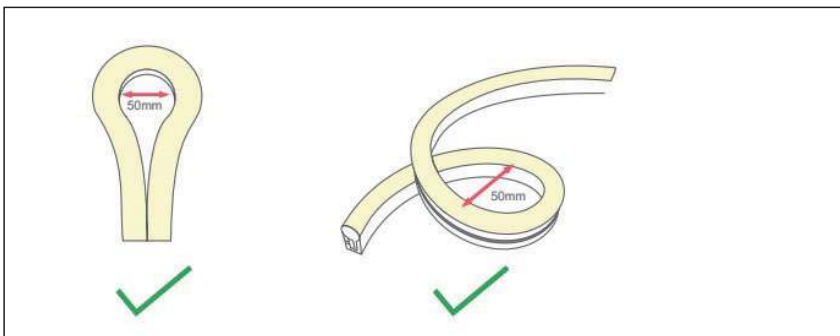


## Attention

1. This product uses low voltage DC power supply, must use AC-DC switch. Use the power supply after voltage conversion! It is strictly forbidden to directly connect the LED light bar with AC 110V or AC 220V AC mains voltage connection, otherwise it will damage strip, and may cause a safety accident!



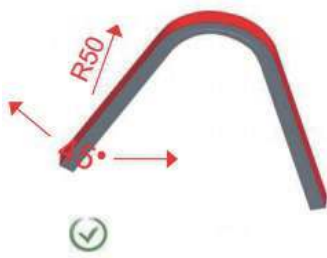
2. Bending direction requirements: Bending neon strip is required to bend along the upper and lower directions of the cross section, bending in the left and right directions of the cross section or seriously twisting will damage the strip.



3. Minimum bending diameter: The minimum bending diameter of curved neon strip is not less than 50 mm, and the bending diameter is less than 50 mm, which will easily damage the strip. Left and right directions of the cross section or seriously twisting will damage the strip.

4. During installation and use, there is a possibility of soiling the light strip. You can use a cotton cloth, dip it in clean water or sprinkle it, and gently wipe the dirty location to clean it.
5. Do not touch the product by means of heavy knocking or hammering; Do not pull the lamp belt forcefully to avoid breaking the FPC in the product; Do not pull the power cord forcefully to avoid the disc falling off; Pay attention to the wiring.

## Angle



The light emitting side is facing Upwards, the Strip is folded in Half (As shown) The minimum radius is 50mm, The minimum Angle is 45 .



5m/Reel, The minimum bending Diameter is 100mm.

During installation and use, there is a possibility of soiling the light strip. You can use a cotton cloth, dip it in clean water or sprinkle it, and gently wipe the dirty location to clean it.

## ✓ Safety & Disclosures

1. Do not install the led strip in environment where excessive heat may occur.
2. Do not extend beyond the recommended maximum run length.
3. Only use copper wiring. Use wires rated for at least 176°F(80°C) and certified for use with external connection of electrical equipment.
4. Do not install IP20 LED strip products in outdoor / wet location environments.
5. Excessive handling, bending, and pressure may damage the product, voiding the warranty.
6. Improper wire selection and installation could overheat wires, and cause fire.
7. Do not connect directly to high voltage or AC power.
8. Installation must be in accordance with local and national electrical code regulations.
9. To ensure safety and correct installation, our strips are intended to be installed by a qualified, licensed electrician.