

SpecialRED

DSSRP48V20WDT6

*Microdriver 48V DALI 2 DT6
for Stucchi track systems or similar*



5 YEARS WARRANTY

CV CONSTANT VOLTAGE



FEATURES

- Dimension: 113x8mm
- Ultra-slim design DALI DT6 LED controller
- Special design for magnet track light and linear lighting
- Magnet absorption installation application, no high frequency interference sound
- DC48V input, max. 20W
- 1 channel 100-700mA constant current output, dips to select multi operation current
- Deep and smooth dimming to 0.1%, flicker free
- In compliance with IEC 62386-101:2014, IEC 62386-102:2014, IEC 62386-207 Ed2
- Built-in DALI-2 interface, DALI DT6 device
- A.A.G. Stucchi track MICRO DALI systems compliant
- Waterproof grade: IP20
- 5 years warranty

SpecialRED

DSSRP48V20WDT6

*Microdriver 48V DALI 2 DT6
for Stucchi track systems or similar*



5 YEARS WARRANTY

CV CONSTANT VOLTAGE

Code	Dimming parameters			Electrical parameters		
	Dimming Input	Dimming Range	Power Supply	Output Voltage	Output Current	Rated Power
DSSRP48V20WDT6	Dali DT6 single channel	0.1 to 100%	48Vdc ± 5% (Polarity Free)	3-40Vdc	100-500 mA	Max 20W
				3-20Vdc	550 mA	Max 20W
				3-10/6/3Vdc	600-650-700mA	Max 20W

Other specifications	
Dimming Interface	DALI-2 (DALI consumption < 2 mA)
Current	0,1 A at Full Load
Efficiency	91%
Standby Power	< 0,5W
Over load protection	Remove the fault conditions and re-power the device
Protections	Short circuit, Over Load, No Load, Reverse polarity
Anti-reverse protection	Prevent driver and load damage
Working temperature	-20°C ~ +35°C
Working humidity	10% ~ 95% RH non-condensing
Storage temperature & humidity	-40°C ~ +80°C, 10% ~ 95% RH

APPLICATION



SpecialRED

DSSRP48V20WDT6

Microdriver 48V DALI 2 DT6 for Stucchi track systems or similar



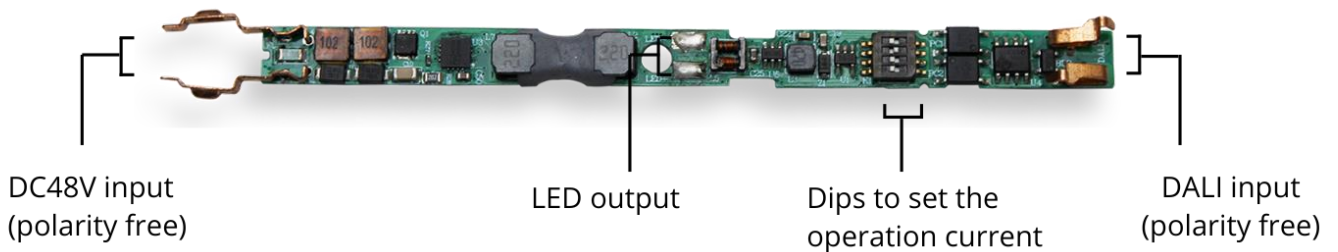
5 YEARS WARRANTY

CV CONSTANT VOLTAGE

DIMENSIONS



FUNCTIONS



SpecialRED

DSSRP48V20WDT6

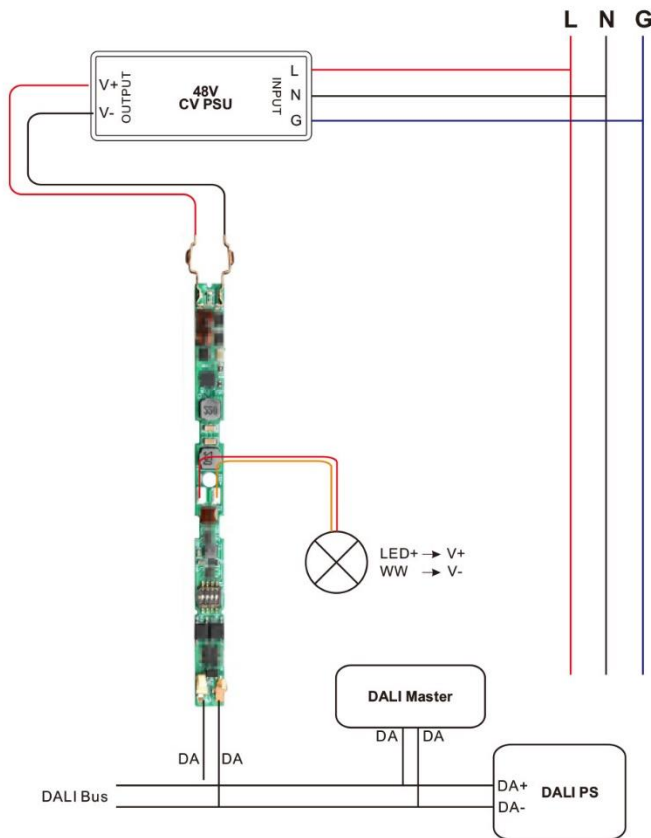
Microdriver 48V DALI 2 DT6 for Stucchi track systems or similar



5 YEARS WARRANTY

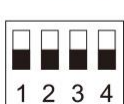
CV CONSTANT VOLTAGE

WIRING DIAGRAM



CURRENT SETUP

Dips to set the operation current



	1	2	3	4
100mA	●	●	○	○
150mA	●	○	●	●
200mA	●	○	○	○
250mA	●	○	○	●
300mA	●	○	○	○
350mA	○	●	●	●
400mA	○	●	●	○
450mA	○	●	○	●

	1	2	3	4
500mA	○	●	○	○
550mA	○	○	●	●
600mA	○	○	●	○
650mA	○	○	○	●
700mA	○	○	○	○

GENERAL CONDITIONS OF SALE

These General Conditions of Sale (G.C.S.) govern the sale of goods (Products) marketed by Universal Science srl with headquarters in Via Adige, 30 - 20006 - Pregnana Milanese (MI). All contracts (Orders) for the sale of Products by Universal Science to its customers by telephone, fax, email or post, are governed by these G.C.S. which are specifically approved by the Customer pursuant to art. 1341 and 1342 of the Italian Civil Code, forming an integral and substantial part of each Purchase Order. These G.C.S. do not affect the rights attributed by mandatory provisions of law to the Customer acting as a consumer, meaning any natural person acting for purposes unrelated to any business or professional activity carried out.

1. Orders

- 1.1. The sale of the Products takes place in the following ways. Orders may be sent by Customers to Universal Science by fax, post, telephone or email. The Order must show the complete acceptance of these G.C.S. We reserve the right to confirm quotations and delivery terms within 7 days from the date of the order. If we do not provide a reply, those indicated in the order are considered valid. The minimum order amount is €200 excluding VAT.
- 1.2. Each Order constitutes a contractual acceptance by the Customer and the sale is considered concluded upon receipt of the Order by Universal Science at its headquarters. Universal Science reserves the right not to execute incomplete Orders or in the event of non-compliance with the provisions of art. 3.1_1.3 In the case of non-fulfilment of the order due to product unavailability or other reasons, Universal Science will inform the Customer by agreeing where necessary the delivery methods of the products and/or the reimbursement of any sums received. In any case, the Customer will not be entitled to any further reimbursement or indemnity or compensation of any kind.

2. Prices

- 2.1. Prices are to be considered VAT excluded. Any regulatory changes concerning variations in VAT or other sales taxes, which occur afterwards, will result in an adjustment on the invoice. Universal Science is not responsible for the accuracy of the data listed in the Customer Order for invoicing.
- 2.2. The prices shown in the offer of the products marketed are valid for 30 days from the date the offer is sent.

3. Payment and delivery of products

- 3.1. Payment for the Order will be agreed with Universal Science prior to the Customer submitting the Order to Universal Science. In the case of cash on delivery/advance payment, the balance must be paid by bank transfer.
- 3.2. Delivery (Transport) is always carried out by the chosen courier and is charged to the customer. If the customer does not have their own courier, the Transport will be carried out with the Universal Science courier, charging the relative costs on the invoice.
- 3.3. Delivery terms will be defined where necessary. These terms are purely indicative and non-binding. Universal Science is in no way responsible for direct or indirect losses due to any delay in delivery.

4. Product characteristics

- 4.1. Universal Science reserves the right to modify, without notice and for reasons of improvement, the characteristics of its production in line with continuous technological evolution
- 4.2. Universal Science makes no guarantee as to the compatibility of the Products with other products or equipment used by the Customer.
- 4.3. Any deficiencies or damage which is visible at the time of delivery and clearly due to transportation will be borne by Universal Science without any charge to the Customer, provided that the courier is Universal Science's and that it is expressly mentioned on the accompanying Production documentation.
- 4.4. Any complaints must be sent in writing to the operational headquarters within 8 days of receipt of the Products.
- 4.5. Universal Science is not responsible for the misuse of its Products by the Customer or any other person.
- 4.6. As regards products with logo which are not handled and in stock for a period of 1 year, these will be considered free from any commitment.

5. Competent Court

- 5.1. Any disputes fall under the jurisdiction of the Court of Milan (Italy).

6. Withdrawal

- 6.1. The Customer can withdraw from a standard Product Order within 3 working days, starting from the day that the Order is received. The Customer will not be able to exercise the right of withdrawal in the case of personalized Products or those which cannot be returned due to their nature.

7. Warranties

No requests for penalties or refunds for delayed delivery of materials are accepted, except for agreements stipulated and ratified between the parties. The penalties, if accepted and signed by the parties, cannot exceed 20% of the value of the order in question, without prejudice to the warranties and legal obligations.

The standard warranty of the Products has a duration of 24 months starting from the manufacturing date shown on the product itself, without prejudice to any extensions as indicated in the specific product documentation or special conditions previously agreed between the parties or defined by the manufacturer if produced by third parties.

The extended warranty, where indicated, consists of 3, 5 or 7 years (based on LED type) + 6 months with reference to the manufacturing date shown on the product. This value includes the possibility of a 3% "natural" failure percentage over the first 3 years; beyond this value the warranty rules will be applied.

Any normal physiological decay of the LED in terms of brightness, as well as any chromatic variation, is not considered to be a fault. The warranty is void in the event of delayed payment (for the entire period of the delay) and/or for misuse, such as failure to apply the normal precautions necessary for an electronic product, failure to comply with electrical parameters, mechanical stress, handling without care, or tampering, or incorrect installation which is not in line with the warnings defined in the technical documentation.

In order to improve the products, in compliance with the regulations in force, the company reserves the right to apply changes to the products without notice. The guarantee is intended ex works.

The products must be returned by requesting written authorization from Universal Science, which will issue the RMA number (Return Material Authorization). The product will be returned carriage paid and once repaired, it will be returned at Universal Science's expense.

In the case of the replacement of LED modules, the possibility must be considered that the new module is different from the photometric and efficiency point of view compared to the version supplied, as it is affected by natural decay.

In the event of confirmed defects which are unable to be repaired, a regular credit note will be issued.

8. Disclaimer of Warranty - Liability

Universal Science provides its customers with product information as it is received from product manufacturers. Universal Science does not guarantee that the information made available to its customers is the most current, accurate and complete; it may be subject to change at any time and is not to be considered as a substitute for the official information issued by the manufacturers of the goods marketed by Universal Science. Universal Science is not liable for any damage that may occur to its customers or third parties following and as a result of information distributed by it directly or through the use of third-party services. With regard to links to third party web pages, Universal Science cannot be held responsible in any way for the content of these pages. Any purchase orders will be considered accepted only after confirmation by the manufacturer. At the discretion of the manufacturer, the quantities and deliveries may be subject to variations that are not dependent on the will of Universal Science even during the execution of the Order.

PRIVACY POLICY

The Data Controller in charge of the collected and exchanged personal data is Universal science srl.

The complete privacy policy is available on the website at the following link: <http://universal-science.it/wp-content/uploads/2022/09/Data-collection-and-Privacy-Policy.pdf>