

YSDN240 SERIES



Input:100-264VAC 50/60Hz
Output Voltage: 24V DC
Rated Power :240W max

Features

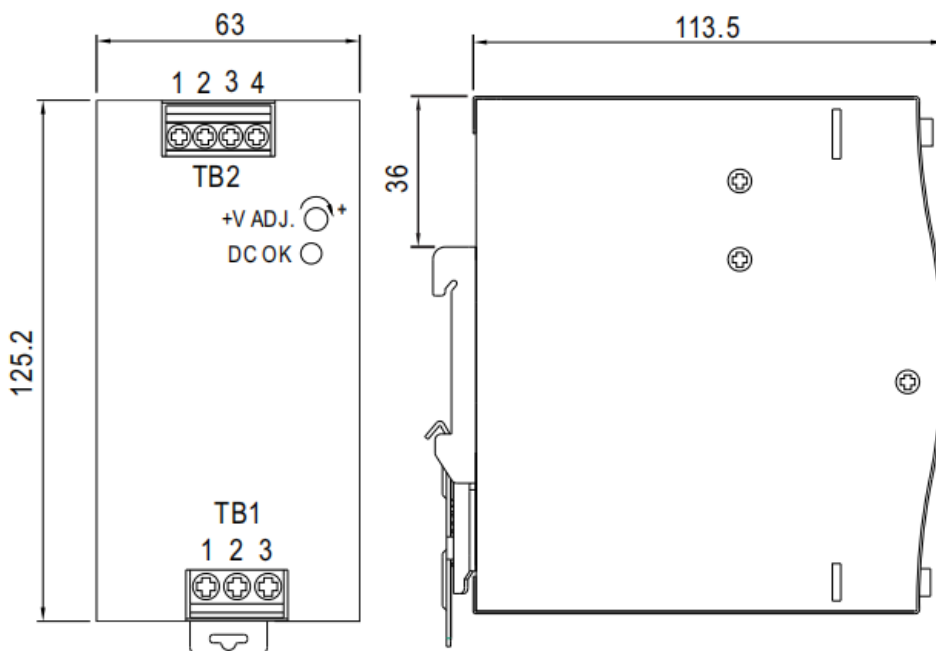
1. International universal full range of exchange input
2. Protection type: over load/over voltage/short circuit
3. DC output voltage adjustable
4. Built-in active PFC function
5. Cooling by free air convection
6. Installed on DIN rail TS-35 / 7.5 or 15
7. UL 508 (Industrial Control Equipment) certified
8. EN61000-6-2(EN50082-2) Industrial immunity
9. 100% full load burn-in test
10. Three years warranty

Application

- Access Control
- Home Control System
- Automation
- Communication Equipment
- Industrial Control Systems



■ Dimensions and Installation



Terminal Pin No. Assignment (TB1)

Pin No.	Assignment
1	FG Ⓧ
2	AC/N or DC -
3	AC/L or DC +

Terminal Pin No. Assignment (TB2)

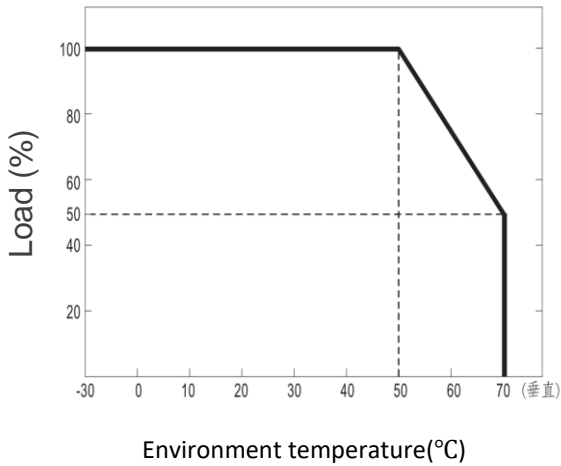
Pin No.	Assignment
1,2	DC OUTPUT -V
3,4	DC OUTPUT+V

YSDN240 SERIES

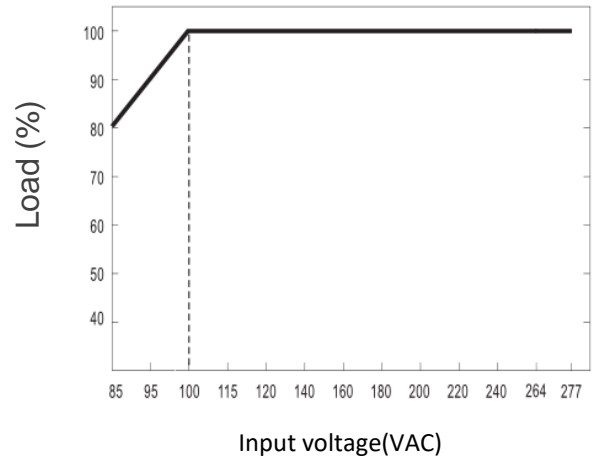
MODEL DETAIL SPEC.		YSD240-24010000
INPUT	Input Voltage:	100-264VAC
	Input Frequency:	47/63Hz
	Inrush Current:	20A/115VAC 35A/230VAC
	AC Current:	2.5A/115VAC 1.3A/230VAC
	Leakage Current:	< 0.25mA/240VAC
	Efficiency:	91%
OUTPUT	DC Voltage:	24V
	Rated Current:	10A
	Rated Power:	240W
	Voltage Tolerance:	±5%
	Ripple and Noise:	240mVp-p
	Line Regulation:	±3%
	Load Regulation:	±1%
Setup, Rise, Hold Up time:	500mS/80mS/12mS(115V/60HZ MAX ROAD), 500mS/80mS/30mS(230V/50HZ MAX ROAD)	
ENVIRONMENTAL	Operating Temperature:	-20°C to 60°C, (Refer to "Derating Curve")
	Storage Temp:	-40°C to 85°C
	Storage Humidity:	10 ~ 95% RH
	Working Humidity:	20% ~ 90% RH Non-Condensing
PROTECTION	Over Load:	110%-160% rated output power
		Protection type: Hiccup Mode- recovers automatically after fault condition is removed
	Over Voltage:	24V:29 ~ 33V 48V:56 ~ 65V
		Protection type : Shut down o/p voltage, re-power on to recover
	Short Circuit:	Protection to Zero Voltage
Over Temperature:	Shut down o/p voltage, re-power on to recover	
SAFETY & EMC	Safety Regulations:	UL508, TUV EN62368-1, EAC TP TC 004,BSMI CNS14336-1
	Withstand Voltage:	I/P-O/P:3KVAC I/P-FG:2KVAC O/P-FG:0.5KVAC
	Isolation Resistance:	I/P-O/P, I/P-FG, O/P-FG:>100M Ohms / 500VDC / 25 / 70% RH
	EMC Emission:	EN55032,EN61204-3,EN61000-3-2,EN61000-6-2, EAC TP TC 020
OTHER	MTBF:	200,000 Hours Minimum at Full Load at 25°C Ambient
	Size:	63*125.2*113.5mm
	Weight:	1Kg / pcs
	Packaging:	15PCS/CTN

YSDN240 SERIES

Deduction curve and temperature



Minus output and input voltage curves



Functional Diagram

