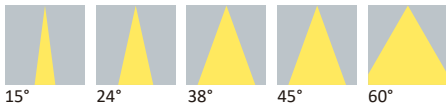


Datasheet

# LL01ZZ-DTQxxLxx-M2

## Available Distribution



## LED



CITIZEN  
CLU048

## Recommend Applications



Architectural    Commercial    Spotlight

## General Information

PC 110°C -40°C	PC LEV1700K V-2 1.5mm RTI 130°C	PC 1225Z V-2 1.5mm RTI 125°C	400nm~900nm >90%	
----------------------	---------------------------------------	------------------------------------	---------------------	--

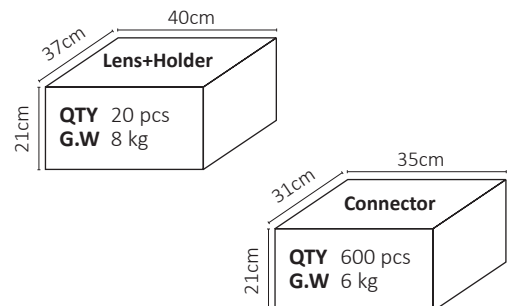
- Lens Material            L02: PC LEV1700K / L46: PC L-1225Z 100
- Operating Temperature    -40°C~+110°C
- UL Flammability            V-2 @1.5mm
- UL RTI Elec                L02: 130°C @1.5mm / L46: 125°C @1.5mm
- Light Transmission Rate    400nm~900nm > 90%
- ☑ If necessary, Clean lenses with mild soap, water and soft cloth.
- ⚠ Never use any commercial cleaning solvents on lenses, like alcohol.
- 🧤 Please handle or install lenses with wearing gloves, skin oils may damage lens or its optical characteristic.

## Dimensions

Part Number	Diameter	Height
LL01ZZ-DTQxxLxx-M2	Ø 150	32.7

\*All dimensions are in millimeters.

## Packaging Details (SPQ)



## Accessories



- Available with Holder  
LL01ZZAAD150H2
- Available with Connector  
LL01A00SVQB2

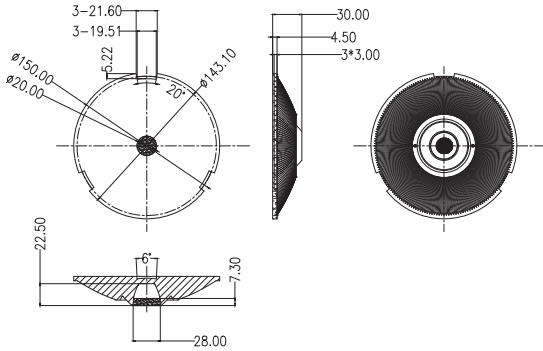
# Mechanical Specification

\*All dimensions are in millimeters.

## Lens Dimension



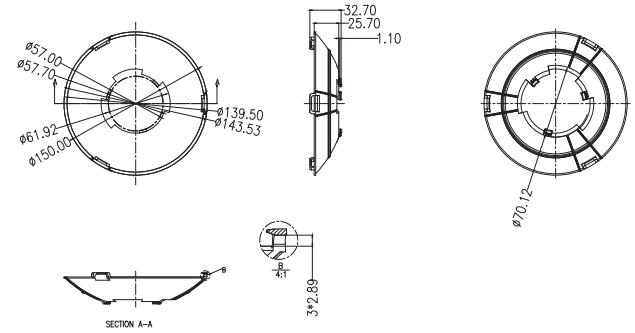
LL01ZZ-DTQxxLxx



## Holder Dimension



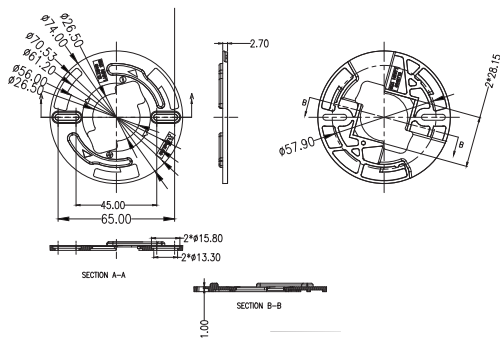
LL01ZZAAD150H2



## Connector Dimension



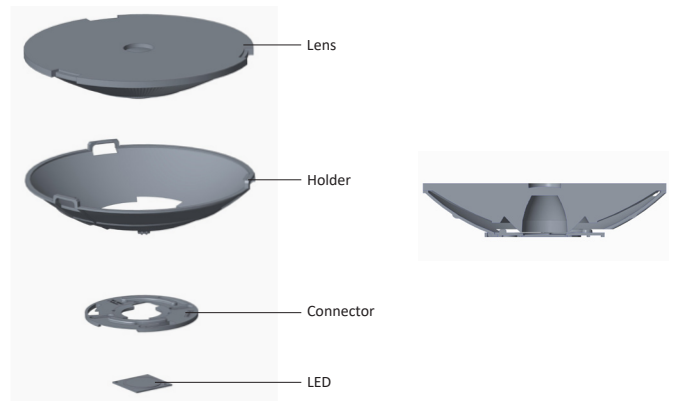
LL01A00SVQB2



## Assembly Instruction

### Fixing Method

Part No	LL01ZZ-DTQxxLxx-M2
Lens	LL01ZZ-DTQxxLxx
Holder	LL01ZZAAD150H2
Connector	LL01A00SVQB2



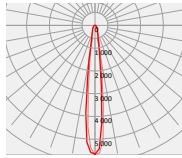
# Photometric Distribution



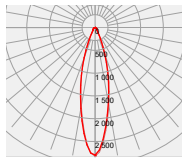
CITIZEN  
CLU048

## Distribution

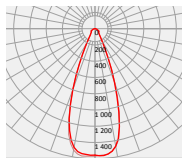
15°



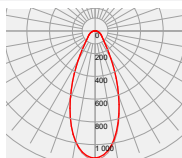
24°



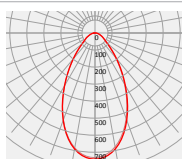
38°



45°














60°

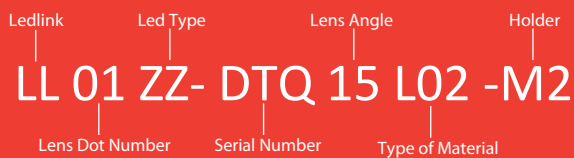


# Details by LED

Part No	Holder	Connector	LED Size	LED
LL01ZZ-DTQxxLxx-M2	 LL01ZZAAD150H2	 LL01A00SVQB2	LES Ø22	 CITIZEN CLU048

LED	Part No	FWHM	cd / lm	IES
 CITIZEN CLU048	LL01ZZ-DTQ15L02-M2	13°	5.6	
	LL01ZZ-DTQ24L02-M2	25°	2.8	
	LL01ZZ-DTQ38L02-M2	39°	1.5	
	LL01ZZ-DTQ45L02-M2	43°	1.1	
	LL01ZZ-DTQ60L02-M2	58°	0.7	
	LL01ZZ-DTQ15L46-M2	13°	5.6	
	LL01ZZ-DTQ24L46-M2	25°	2.8	
	LL01ZZ-DTQ38L46-M2	39°	1.5	
	LL01ZZ-DTQ45L46-M2	43°	1.1	
	LL01ZZ-DTQ60L46-M2	58°	0.7	

## Product Nomenclature



### Ledlink Optics, Inc Taiwan HQ

15F, No.655, Bannan Rd., Chung-Ho Dist.,  
New Taipei City, Taiwan 235

### Ledlink Optics (Dongguan) Co., Ltd Dongguan Factory

No.5, TianKeng Industrial Dist., HengLiTown, DongGuan City,  
GuangDong Province, China 523478

### Ledlink Optics (Yangzhou) Co., Ltd Yangzhou Factory

No.180, LinJiang Rd., YangZhou City, Jiangsu Province, China 225009

[www.ledlink-optics.com](http://www.ledlink-optics.com)

[service@ledlink-optics.com](mailto:service@ledlink-optics.com)

